

Technical sheet :

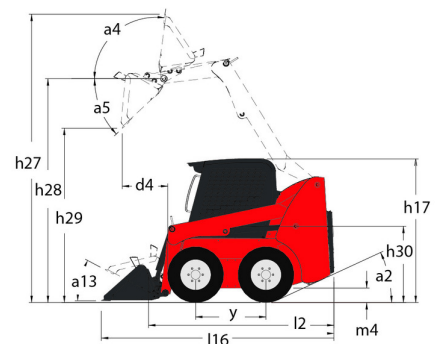
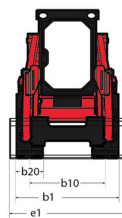
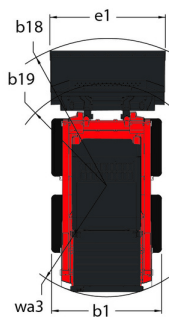
1350 R NXT2



 **MANITOU**
HANDLING YOUR WORLD

Capacities			Metric	Imperial
Rated Operating Capacity			612 kg	1349 lb
Rated Operating Capacity with Optional Counterweight			680 kg	1499 lb
Unladen weight			2384 kg	5256 lb
Weight and dimensions				
Overall Operating Height - Fully Raised		h27	3670 mm	144 in
Height to Hinge Pin - Fully Raised		h28	2794 mm	110 in
Overall Height to Top of ROPS		h17	1930 mm	76 in
Dump angle at full height		a5	40 °	40 °
Dump height		h29	2123 mm	84 in
Overall length with bucket		l16	3076 mm	121 in
Dump reach - Full height		r6	584 mm	23 in
Rollback at ground		a13	28 °	28 °
Seat to ground height		h30	871 mm	34 in
Wheelbase		y	950 mm	37 in
Overall width less bucket		b1	1364 mm	54 in
Bucket Width		e1	1372 mm	54 in
Ground clearance		m4	203 mm	8 in
Overall length - Less Bucket		l2	2360 mm	93 in
Departure angle		a2	25 °	25 °
Clearance Radius - Front with Bucket		b18	1842 mm	73 in
Clearance Circle - Front without Bucket		b19	1120 mm	44 in
Clearance Circle - Rear		wa1	1372 mm	54 in
Performances				
Travel speed (unladen)			12.90 km/h	8 mi/h
Wheels				
Standard tyres			10.00x16.5 HD	10.00x16.5 HD
Engine				
Engine brand			Yanmar	Yanmar
Engine model			4TNV88C-KMS	4TNV88C-KMS
Gross Power (kW)			34.30 kW	34 kW
Max. torque / Engine rotation			146.20 Nm / 2800 rpm	108 ft/lbs / 2800 rpm
Battery			12 V	12 V
Alternator			100 kW	100 kW
Starter (kW)			2.30 kW	2 kW
Hydraulics				
Standard flow - Auxiliary hydraulics			63.60 l/min	17 US gpm
Auxiliary Hydraulic Pressure			207 bar	3002 PSI
Tank capacities				
Fuel tank			59.40 l	16 US gal
Reservoir Capacity Hydraulics			34.80 l	9 US gal
Displacement			2.20 l	0.58 US gal
Coolant system capacity			7.90 l	2 US gal
Noise and vibration				
Environmental noise (LWA)			82 dB	82 dB
Noise at driving position (LpA)			100 dB	100 dB
Whole-Body Vibration (ISO 2631-1)			0.81 m/s ²	0.81 m/s ²
Vibration to whole hand/arm			< 1.90 m/s ²	< 1.90 m/s ²

1350 R NXT2 - Dimensional drawing





Head Office

B.P. 249 - 430 rue de l'Aubinière

44150 Ancenis Cedex - France

Tel: +33 (0)2 40 09 10 11 - Fax: +33 (0)2 40 09 10 97

www.manitou.com



This publication provides a description of the configuration versions and options for Manitou products, which may differ for equipment. The equipment presented in this brochure may be part of a series, as an option, or it may not be available, depending on the versions. Manitou reserves the right, at any time and without notice, to amend the specifications described and represented. The specifications provided do not bind the manufacturer. For more details, please contact your Manitou agent. This is not a contractually binding document. The presentation of the products is not contractually binding. List of specifications non-exhaustive. The logos as well as the visual identity of the company are owned by Manitou and cannot be used without authorisation. All rights reserved. The photos and diagrams contained in this brochure are only provided for consultation and information purposes.

MANITOU BF SA - Limited company with board of directors - Share capital: 39,668,399 euros - 857 802 508 RCS Nantes